
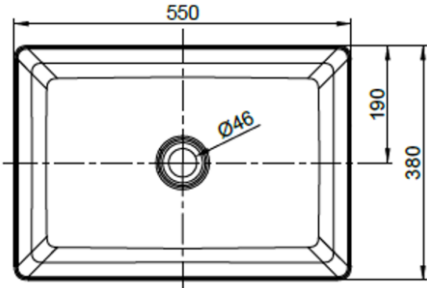
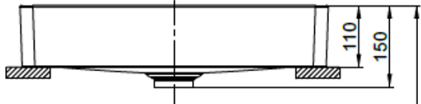
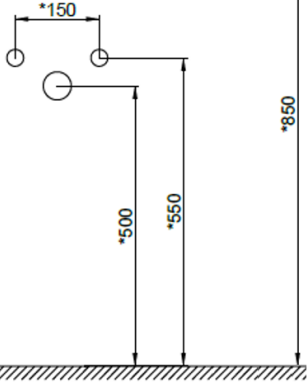
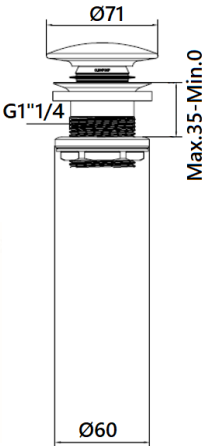





PROJECT		REF		REV	ITEM CODE	
LOCATION		DATE			PAGE	

**SANITARY WARE SPECIFICATION SHEET**

<p><b>Item Descriptions</b></p> <p>American Standard (PRC) "Acacia SupaSleek "          Thin vessel fine fire clay above counter          washbasin including chrome plated fixed and          unslotted waste with ceramic cover ref.          CC1511M9A009628</p> <p><b>Dimensions</b></p> <p>W380 x L550 x H150 mm (Overall)          W380 x L550 x H110 mm (Basin)</p> <p><b>Model</b></p> <p>CP-F412.000.04</p> <p><b>Material / Finish</b></p> <p>Fine Fire Clay / White</p> <p><b>Manufacturer</b></p> <p>American Standard (PRC)</p> <p><b>Source</b></p> <p>Acme Sanitary Ware Co. Ltd          Mr. Eric Wong/ Mr. Wilson Hung</p> <p><b>Contact Tel/Fax</b></p> <p>(852) 2388-7171 / (852) 2710-8012</p> <p><b>E-mail</b></p> <p>acme@acmesanitary.com.hk</p> <p><b>Website</b></p> <p>www.acmesanitary.com.hk</p>	<p align="center"><b>Illustration/ Drawing</b></p>    
<p><b><u>Detail specifications</u></b></p> <p>Acacia SupaSleek          Thin Vessel          Design: Thin edge design          Without overflow hole          Drainage with Ceramic Cover</p> <p><b>FEATURES</b></p> <p>Design: Thin edge design          Overall Dimensions: W380mm x L550mm x H150mm          Basin Dimensions: W380mm x L550mm x H110mm          Material: Fine Fire Clay</p>	 

**Note:** New Code : CCASF412-1010411F0

\* All information of the above is for the reference only. No prior notice is made if any changes.